

# QR10M

## USB QR Code Module



QR10M is a high-performance QR code reader module developed independently by ZKTeco. The QR code module is small in size and can easily read code information from mobiles and printed materials. It can read all available codes with a built-in LED for auxiliary lighting, which has an automatic induction function to read during the day or night without significant impact. The product adopts the international leading intelligent graphic recognition system with strong recognition ability and fast recognition speed. As long as the QR code is presented at the acceptable reading angle and identification distance, the module could respond very quickly. QR10M not only has all the functions of the reader, it can also flexibly integrate applications with various products without any accessories.

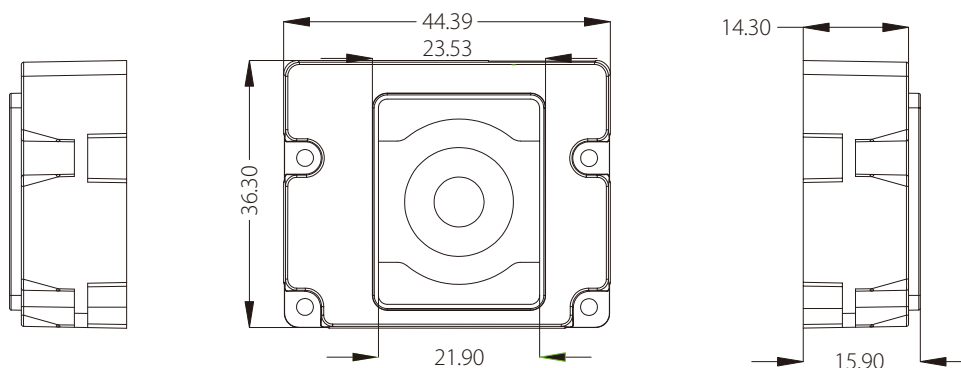
### Features

- High-speed reading: generally speaking, different factors would affect the performance of a QR code reader, such as contrasts, colors, and reflections commonly found using different LCD screens of mobile phones; QR10M would not be affected and can identify QR codes quickly.
- High-performance reading ability: capable of identifying all general QR codes and bar codes both on mobiles and printed materials.
- Powerful processing chip: fast decoding speed and high precision identification.
- USB interface: plug and play, high speed of transmission.
- Small size, easily embedded into variety of devices.

## Specifications

Scanner Type	QR10M
Material	Optical
Dimensions (L * W * H)	QR10M: 44.4 * 36.3 * 21.9 mm
Operating System	Windows, Linux, and Android
Scanning Angle	Roll: 360°, Pitch: ±40°, Yaw: ±60°
FOV	Horizontal: 66°, Vertical: 50°
Reading Distance	5 to 25 cm
Image Size	648 * 488 pixels
Illumination Intensity	0 to 10000 Lux
One-dimensional Code Types	UPC-A, UPC-E, UPC-E1, EAN-8, EAN-13, EAN-14, EAN-128, UCC128, ISBN/ISSN, CODE11, CODE32, CODE39, CODE39 Full ASCII, CODE93, CODE128, interleaved 2 of 5, industrial 2 of 5, Matrix 2 of 5, China post code, UK/Plessey, and GS14
Types of QR Code	QR code, PDF417, Data Matrix, MicroPDF417, and Aztec
Operating Temperature	-10°C to 50°C
Storage Temperature	-40°C to 80°C
Operating Humidity	5% to 93% RH (Non-condensing)
Operating Voltage	USB 5.0V
Operating Current (Working Mode)	240mA
Operating Current (Idle Mode)	50mA
Communication Interface	USB keyboard

## Dimensions (mm)



V4.0 12/02/2021